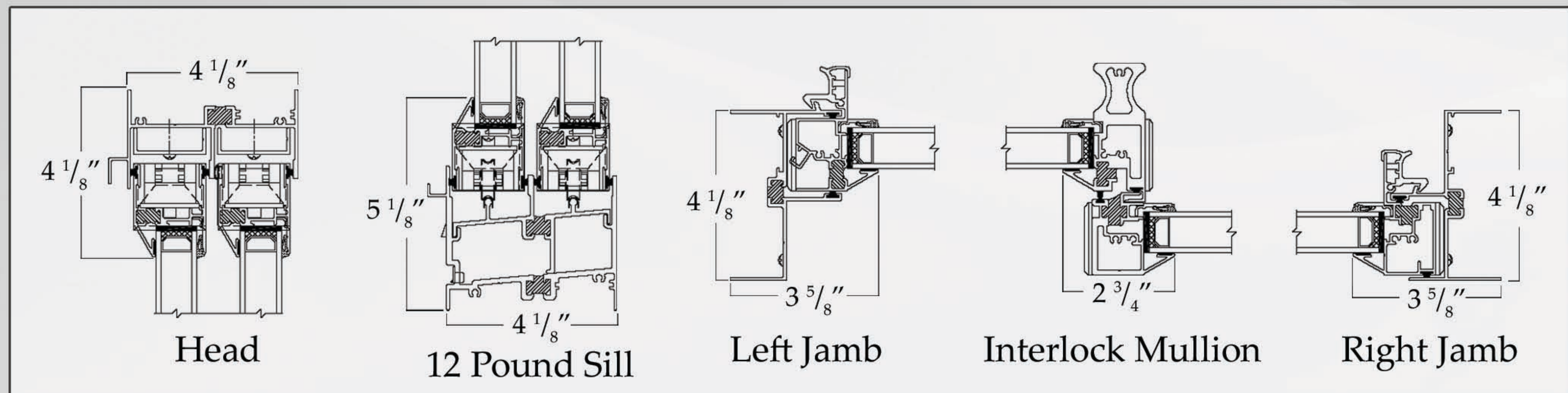


The Champion 7500 Sliding Window is designed to achieve the highest performance, attaining Heavy Commercial (HC) and Architectural Window (AW) grades. The window features a 4 1/8" frame, thermally-broken components, a continuous lock rail, and stainless steel rollers. Champion's 7500 slider includes a three-level removable sill track that comes standard at 12 pounds, with 10 and 15 pound sills being optional. The 7500 slider is also available with an extended flange frame and is compatible with all of Champion's installation accessories including snap trim, panning, and receptors. The high-performance and versatility of Champion's 7500 Sliding Window makes it a perfect choice for both new construction and replacement projects.



~Quality Products and Service Since 1952~

7500 Features

- HC and AW Rated Product
- 4 1/8" Frame Depth
- 1" Insulating Glass
- Dual Sealed D/S Glass
- Stainless Steel Rollers
- 12 Pound Removable Sill
- Continuous Latch/Lock Rail

- Beveled Sashes
- Curved Structural Slide Handle
- Fully Thermally-Broken Components
- Metal Sash Stops w/ Rubber Bumpers
- Maximum Size: 99" W x 79" H*
- *Max. height may vary w/ application



7500 Options

1", 2" & 5 1/2" Expander	Extended Fin: 2 1/2" Head, Jamb, Sill
3" & 5" Dual Expander	Single Frame w/ Integral Mullion
Caulk Stop	10 lb, 15 lb Sill
Caulk Stop w/ Return	Sheet Rock Receptor
2 Piece Caulk Return	Snap Trim Set
Twist Anchors	Stack Mullion
1 1/8" x 1" L-Angle	Tie-In Mullion
1 1/4" x 2" L-Angle	Vandal Sash
Receptor/Sub Sill	By-Pass Sashes
Sill Covers	Square Panning
Stool Covers	Landmark Panning
2-Piece Mullion Covers	Internal/Landmark Grids
3 Piece Mullion w/ Various Degrees	Screen Options



Optional By-Pass Sashes



Curved Structural Handle



Beveled Sashes



7500 Performance

Champion's 7500 Sliding Window is AAMA certified with test results meeting all the requirements for HS-AW-PG65 rating in accordance with the 101/IS2/A440-08 testing standards. As part of its commitment to quality, Champion maintains a testing facility that it uses to continuously test its products, ensuring that they continuously meet requirements.

Title of Test	7500 HS-AW-PG65	7510 FW-AW-PG75
Operating Force	23 lbf max	-
Air Infiltration	0.17 cfm ² @ 50mph	<0.01 cfm ² @ 50mph
Water Resistance Test Pressure	12.12 psf	12.12 psf
Uniform Load Deflection Test Pressure	65.20 psf	75.24 psf
Uniform Load Structural Test Pressure	97.81 psf	112.85 psf
Forced Entry Resistance	Grade 10	Grade 40

